

GENDRON[™]
by graham-field

3648 SERIES BARIATRIC BED



USER MANUAL

GD_3648-INS-LAB-RevA20

Read this manual before operating your 3648 Bariatric Bed.

Save this manual for future use.

The most current version of this manual can be found online at gendroninc.com.

CONTENTS

1	INTRODUCTION.....	3
	INSTALLATION AND SETUP.....	3
	INTENDED USE	3
2	IMPORTANT SAFETY INSTRUCTIONS.....	4
	SIGNIFICANCE OF SAFETY STATEMENTS	4
	DANGER / WARNING / CAUTION / NOTICE SUMMARY.....	5
	ELECTROMAGNETIC COMPATIBILITY	7
3	HANDLING PROCEDURES.....	8
	SHIPPING AND TRANSPORTATION INSTRUCTIONS	8
	DISPOSAL OF EQUIPMENT AND ACCESSORIES.....	8
4	ASSEMBLY AND SETUP INSTRUCTIONS.....	9
	FEATURES AND COMPONENTS.....	9
	ASSEMBLY INSTRUCTIONS.....	10
	SETUP INSTRUCTIONS	11
	DISASSEMBLY FOR STORAGE OR TRANSPORT	12
5	OPERATION INSTRUCTIONS.....	13
	FUNCTION AND BASIC OPERATION.....	14
	ACTUATORS, CONTROL MODULE, AND HANDSET	14
	HANDSET OPERATION.....	15
	UPRIGHT BACK POSITION	15
	CASTER OPERATION	16
	BED RAILS.....	17
6	CARE AND MAINTENANCE.....	18
	CLEANING	18
	PERIODIC INSPECTION AND MAINTENANCE	19
7	TROUBLESHOOTING.....	20
8	SPECIFICATIONS	21
9	LIMITED WARRANTY	22
10	INDEX	23

1 INTRODUCTION

INSTALLATION AND SETUP

The original installation and setup of this bed and any options or accessories (rails, extension kits, trapeze, etc.) must be performed by a GF authorized distributor or qualified service personnel.

INTENDED USE

The 3648 Bariatric Bed is designed for bariatric patients. The bed is ideal for long term use in the home or nursing care centers. It is intended for all age groups with varying medical and physical conditions.

Info: Only the patient's health professional can determine the suitability of this bed.

Contraindications

- ⚠ WARNING: Use this device only as intended and described in this manual. Do not use attachments or accessories not recommended by GF Health Products, Inc.**
- ⚠ WARNING: This product has a maximum working load / maximum total weight capacity, including patient, mattress, accessories, rails, etc., of 650 lb (295 kg), EVENLY DISTRIBUTED.**
- ⚠ WARNING: DO NOT use this product in the presence of flammable anesthesia. There is a possible fire hazard when this product is used with certain oxygen delivery equipment. Use ONLY nasal cannula or face mask to deliver oxygen in the presence of this product.**

2 IMPORTANT SAFETY INSTRUCTIONS

⚠ IMPORTANT: Before using the 3648 Bariatric Bed, read and adhere to the following safety precautions and warnings. Failure to do so could result in serious personal injury or damage to the 3648 Bariatric Bed.

Always consult your healthcare professional to determine safe methods most suitable for your individual abilities. Protect yourself, your attendant, and the 3648 Bariatric Bed by having it serviced regularly. If you experience any malfunction, contact your GF authorized distributor immediately, as a hazardous condition could result, causing personal injury or damage to your 3648 Bariatric Bed.

Periodic inspection, adjustment and replacement of worn parts are necessary to provide years of excellent service. Refer to *CARE AND MAINTENANCE* section of this manual.

Maintenance **MUST** be performed by qualified personnel **ONLY**.

SAVE THESE INSTRUCTIONS.

SIGNIFICANCE OF SAFETY STATEMENTS

Please note the following special statements, used throughout this manual, and their significance:

- ⚠ DANGER:** Indicates a potential hazard situation or unsafe practice that, if not avoided, will result in death or serious personal injury.
- ⚠ WARNING:** Indicates a potential hazard situation or unsafe practice that, if not avoided, could result in death or serious personal injury.
- ⚠ CAUTION:** Indicates a potential hazard situation or unsafe practice that, if not avoided, could result in minor or moderate personal injury.
- ▲ NOTICE:** Indicates a potential hazard situation or unsafe practice that, if not avoided, could result in product or property damage.

Info: Provides application recommendations or other useful information to ensure that you get the most from your product.

DANGER / WARNING / CAUTION / NOTICE SUMMARY

DANGER: To Reduce the Risk of Electric Shock:

⚠ DANGER: Always unplug the bed from the electrical outlet before cleaning.

WARNING: To Reduce the Risk of Burns, Fire, Electric Shock, or Personal Injury:

- ⚠ WARNING:** Important! Read and understand these instructions before assembling or using the Gendron 3648 Bariatric Bed. If you do not understand any part of these warnings, cautions or instructions, contact a healthcare professional for direction in the use of this product. If the Gendron 3648 Bariatric Bed is not properly assembled, personal injury and damage to the bed could result.
- ⚠ WARNING:** If components are damaged or missing, contact your GF authorized distributor immediately. **DO NOT** use substitute parts. Use only Gendron replacement parts. The use of non-Gendron replacement parts could cause personal injury, property damage, and void the warranty.
- ⚠ WARNING:** Unauthorized modification of your 3648 Bariatric Bed could cause personal injury, property damage, and void the warranty.
- ⚠ WARNING:** This product has a maximum working load / maximum total weight capacity, including patient, mattress, accessories, rails, etc., of 650 lb (295 kg), **EVENLY DISTRIBUTED**.
- ⚠ WARNING:** Ensure body weight is evenly distributed over the surface of the bed. Do not lie, sit, or lean in such a way that your entire body weight is placed only on the raised head or foot section of the bed. This includes when assisting the user in repositioning or transferring in or out of bed.
- ⚠ WARNING:** Pinch points: Keep fingers, arms, legs, and objects clear of bed when any mechanism is in motion. Ensure all persons and objects are clear of the bed when raising or lowering. Do not place arms or head into frame while operating.
- ⚠ WARNING:** Do not allow this device to be operated by small children.
- ⚠ WARNING:** When operating ANY bed change of position, **ALWAYS** ensure that the individual confined to the bed is positioned properly within the confines of the bed. **DO NOT** let any extremities protrude over the side or between the bed rails when performing any functions.
- ⚠ WARNING:** Before operation, ensure that the bed frames are properly seated and locked in place.
- ⚠ WARNING:** Keep all moving parts free of obstruction (i.e. blankets, sheets, heating blankets, pads, tubing, wiring, and other types of products).
- ⚠ WARNING:** Ensure that Headboard, Footboard, and Locking Hardware installation have been performed properly per instructions in order to prevent personal injury when moving the bed.
- ⚠ WARNING:** **WARNING / CAUTION** labels applied to the bed outline hazards or unsafe practices that could result in personal injury and / or property damage; do not remove them.

- ⚠ **WARNING:** When assembling the bed, ensure the power cord has been properly cable-tied to the frame so that it cannot be pinched or caught on any part of the bed during normal operation of the bed.
- ⚠ **WARNING:** Ensure the power cord and motor cords DO NOT get tangled around the bed, bed rails, or legs during normal operation of the bed.
- ⚠ **WARNING:** Use this device only as intended and described in this manual. Do not use attachments or accessories not recommended by GF Health Products, Inc.
- ⚠ **WARNING:** Never operate this product if:
 - a. it has a damaged cord or plug,
 - b. it is not working properly,
 - c. it has been dropped or damaged, or
 - d. it has been dropped into water.If so, return the product to your GF authorized distributor for examination and repair.
- ⚠ **WARNING:** Keep the cord away from heated surfaces.
- ⚠ **WARNING:** Do not leave the bed unattended when plugged in.
- ⚠ **WARNING:** Always unplug the bed from the electrical outlet before installing or removing parts.
- ⚠ **WARNING:** To disconnect the bed, remove the plug from the electrical outlet.
- ⚠ **WARNING:** Do not use the 3648 Bariatric Bed outdoors.
- ⚠ **WARNING:** Check all parts for shipping damage before using. In case of damage, DO NOT USE the equipment. Contact the carrier or your GF authorized distributor for further instructions.
- ⚠ **WARNING:** This product can expose you to chemicals including Di(2-ethylhexyl)phthalate (DEHP) which is known to the State of California to cause cancer or birth defects or other reproductive harm. For more information go to www.P65Warnings.ca.gov/furniture.
- ⚠ **WARNING:** GF Health Products, Inc. assumes no responsibility for any damage or injury caused by improper assembly or use of this product.
- ⚠ **WARNING:** GF Health Products, Inc. specifically disclaims responsibility for any bodily injury or property damage which may occur during any use which does not comply with federal, state or local laws or ordinances.

NOTICE: To Reduce the Risk of Product or Property Damage:

- ▲ **NOTICE:** The pendant hand control cord must be routed and secured properly to ensure that the cord does NOT become entangled and eventually severed during use.
- ▲ **NOTICE:** When using nasal or masked type administering equipment, oxygen or air tubing MUST be routed and secured properly to ensure that tubing does NOT become entangled and eventually severed during normal operation of the 3648 Bariatric Bed.

ELECTROMAGNETIC COMPATIBILITY

Medical electrical equipment needs special precautions regarding electromagnetic compatibility (EMC) and needs to be installed and put into service according to the EMC information provided.

1. Portable and mobile radio frequency (RF) communications equipment can affect medical electrical equipment. This Product is intended for use in the electromagnetic environments specified.
2. The end user of this product should assure it is used in such an environment.
 - a. Portable and mobile RF Communications equipment (cell phones) should not be used at close distances.
 - b. Power frequency magnetic fields should be at levels characteristic of a typical location in a typical commercial or hospital environment.

3 HANDLING PROCEDURES

SHIPPING AND TRANSPORTATION INSTRUCTIONS

The bed frame is disassembled into two sections for handling. If the 3648 Bariatric Bed is to be reshipped by common carrier, it should be packed in the same carton in which it was received.

Unpacking

1. Check for any obvious damage to the carton(s) or contents. If damage is evident, notify the carrier or your GF authorized distributor.
2. Remove all loose packing from the carton(s).
3. Carefully remove all the components from the carton(s).

Info: Unless the 3648 Bariatric Bed is to be used immediately, retain boxes, containers and packing material for use in storing until use of Bed is required.

Inspection

1. Examine the exterior of the 3648 Bariatric Bed for nicks, dents, scratches or other damage; inspect all components.
2. If any damage is evident, notify the carrier or your GF authorized distributor.

Storage

1. Store the repackaged 3648 Bariatric Bed in a dry area.
2. DO NOT place other objects on top of the repackaged bed.

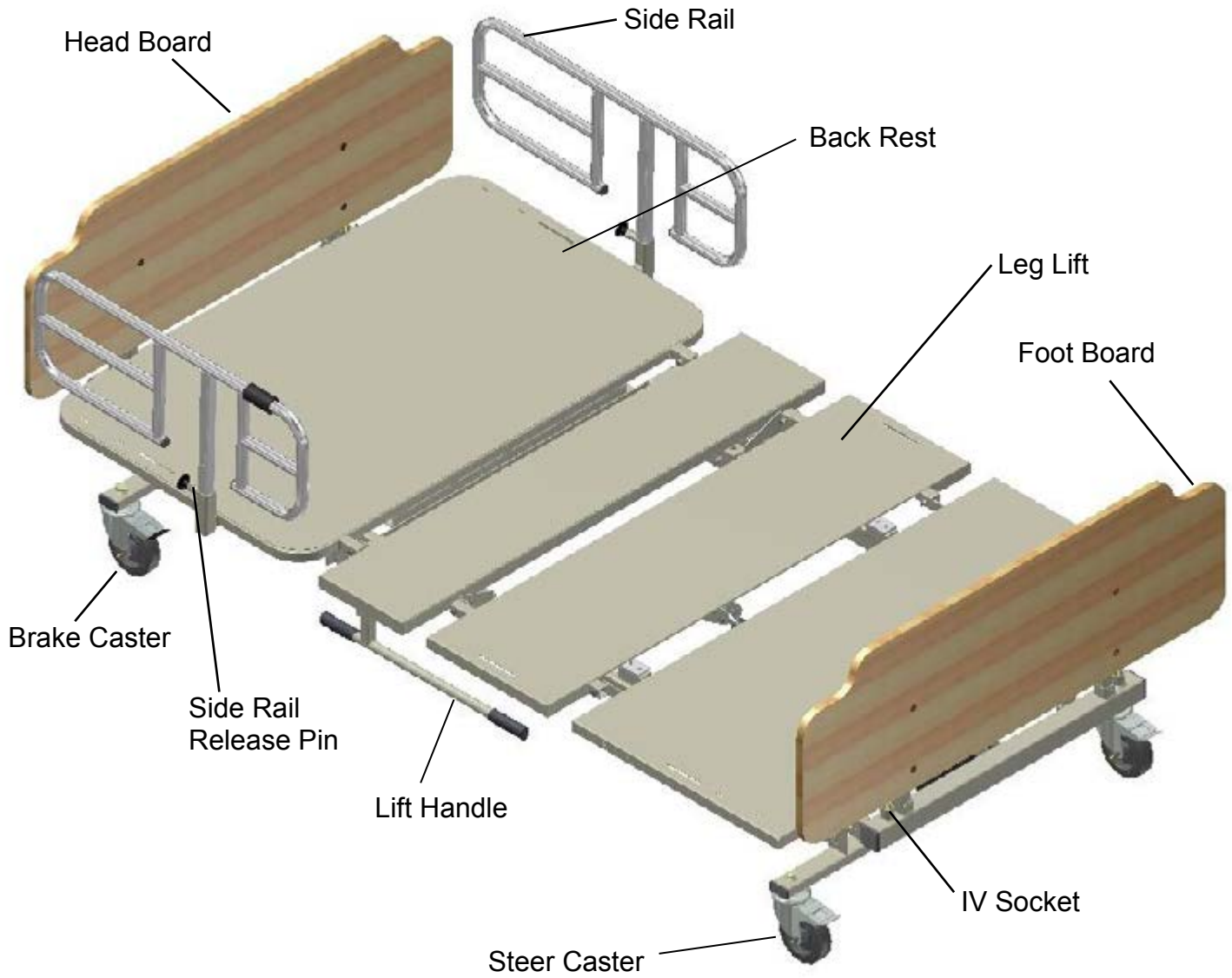
DISPOSAL OF EQUIPMENT AND ACCESSORIES



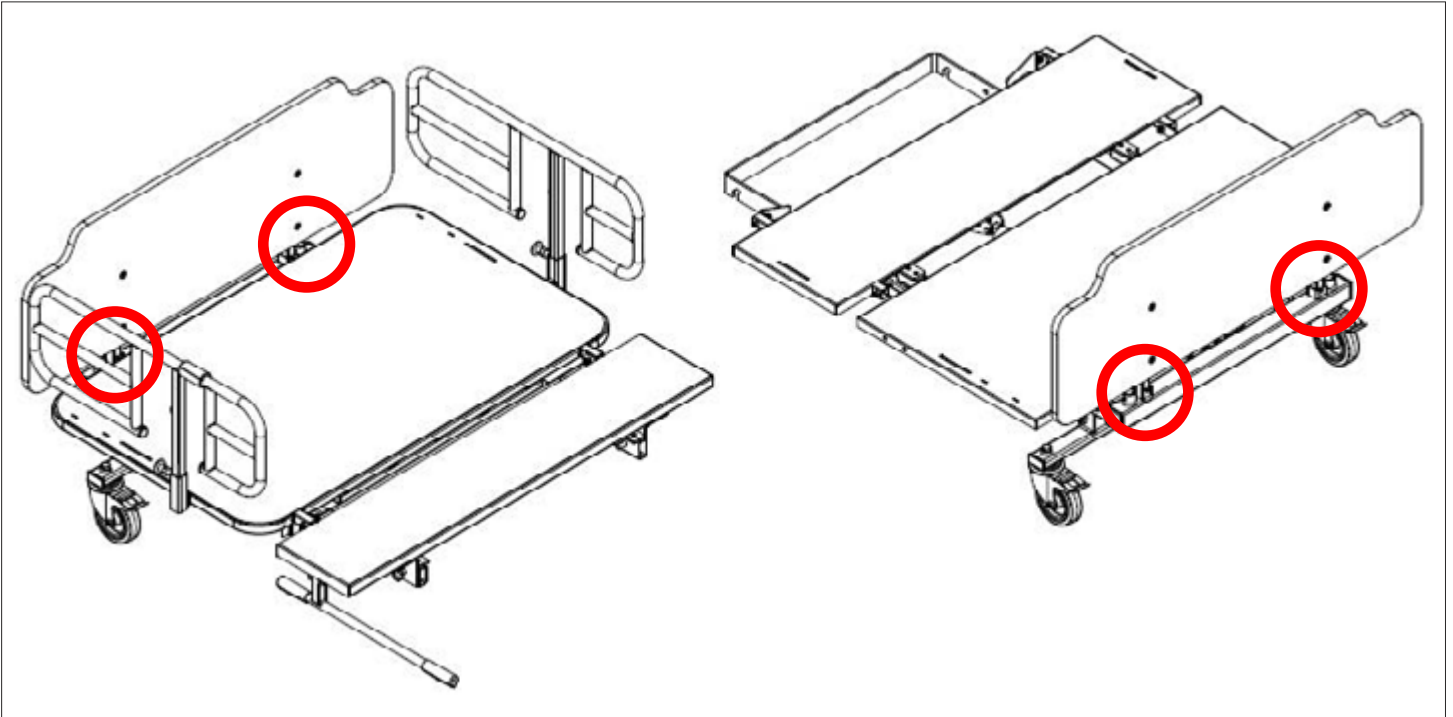
Follow local governing ordinances and recycling plans regarding disposal of the device or components normally used in operation. The device does not generate waste or residue in operation. Any accessories not part of the device **MUST** be handled in accordance with the individual product marking for disposal.

4 ASSEMBLY AND SETUP INSTRUCTIONS

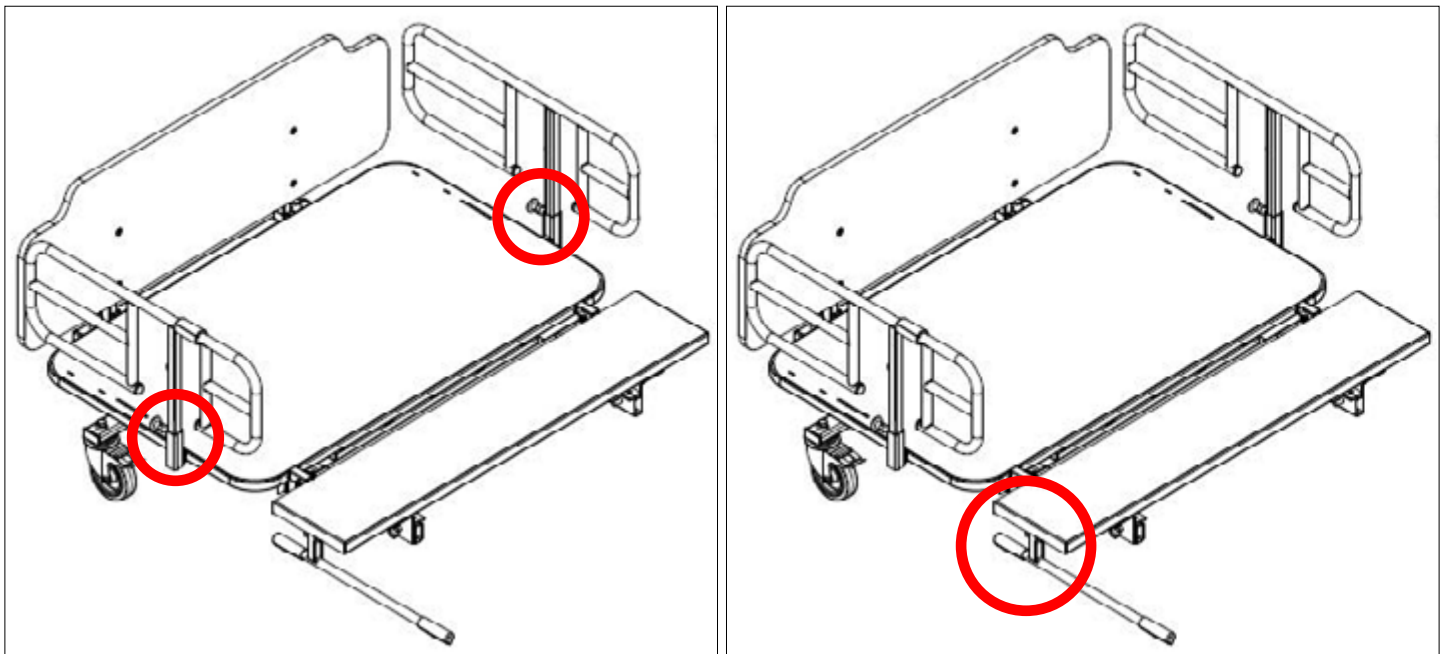
FEATURES AND COMPONENTS



ASSEMBLY INSTRUCTIONS



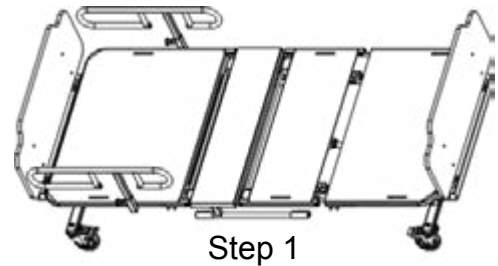
1. Install the headboard posts in the square sockets at the head end with the board closest to the mattress as shown at above left.
2. Install the footboard posts in the square sockets at the foot end with the board away from the mattress as shown at above right.



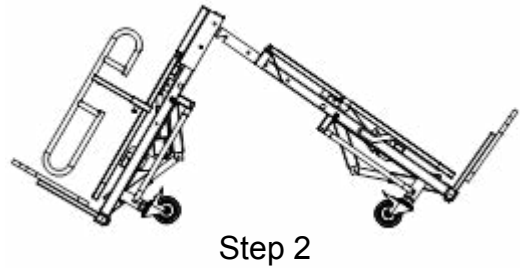
3. Install the side rails as shown at above left.
4. Install the lift handle with bolt and lock nut. Ensure that lift handle is in the correct orientation as shown at above right.

SETUP INSTRUCTIONS

1. Lock head and foot end casters parallel to frame and oriented as shown at right.

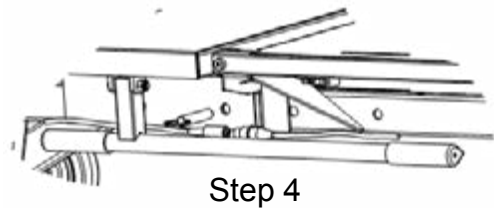


2. Move bed into position as shown at right and hook the foot end frame over the round bar on the head end frame.

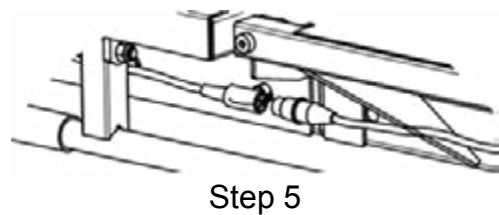


3. Swing the lift handle out and slowly lower the bed. Keep both hands on handgrips until the bed has been completely lowered to reduce the risk from pinch areas.

4. Insert quick release pins on both sides of frame.

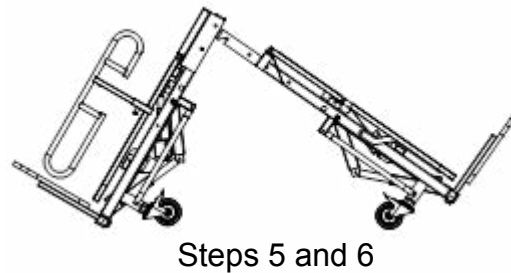
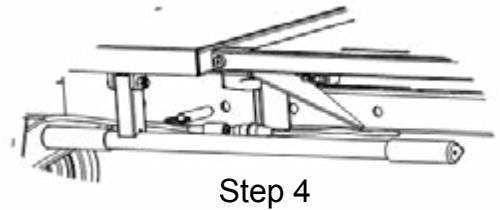
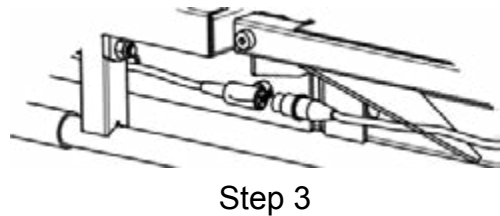
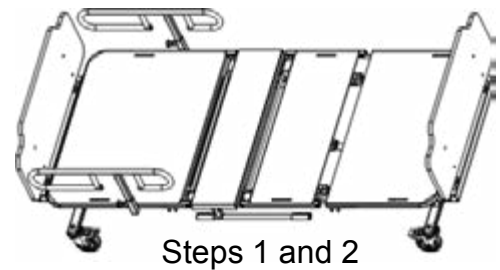


5. Connect both actuator cables from foot end of frame to head end of frame.



DISASSEMBLY FOR STORAGE OR TRANSPORT

1. Completely lower bed and all bed sections.
2. Lock head and foot end casters parallel to frame and oriented as shown at right.
3. Disconnect both actuator cables from foot end of frame to head end of frame.
4. Remove quick release pins on both sides of bed frame.
5. Swing lift handle out and slowly lift bed. Keep both hands on handgrips until bed has been completely lifted to reduce the risk from pinch areas.
6. Lift foot end frame away from head end frame.



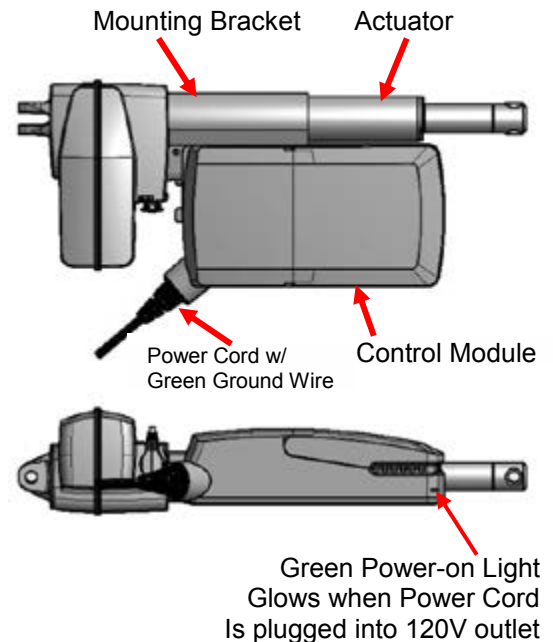
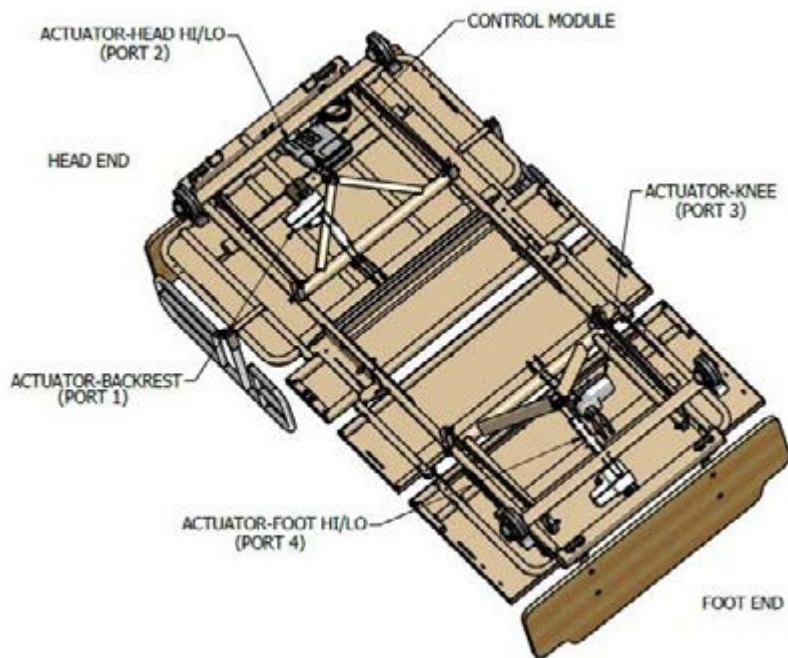
5 OPERATION INSTRUCTIONS

- ⚠ **WARNING:** Ensure that the bed is secure and assembled properly per instructions in this manual before operating.
- ⚠ **WARNING:** Power Requirements: Electrical hazard may occur if this device is plugged into inadequate power supply. A power source of 100-240 VAC, 50/60 Hertz with a capacity of at least 3.9 Amperes must be available to operate the bed. A three wire grounded receptacle must be supplied. A GFCI is recommended.
- ⚠ **WARNING:** Ensure the control module and the handset cords are properly positioned before operating the bed. Do not allow either of these cords to get caught in the moving members of the bed. Ensure the control module and the handset cords are properly positioned before operating the bed. Do not allow either of these cords to get caught in the moving members of the bed.
- ⚠ **WARNING:** Do not use a bed with any missing or damaged parts.
- ⚠ **WARNING:** Do not operate this device if the power cord or any of the cords between the control module and the associated parts are cut, frayed for loosely connected.
- ⚠ **WARNING:** Pinch points: Keep fingers, arms, legs, and objects clear of bed when any mechanism is in motion. Ensure all persons and objects are clear of the bed when raising or lowering. Do not place arms or head into frame while operating.
- ⚠ **WARNING:** When the patient is lying on the bed in supine position, always lower the bed completely and raise the side rails.

FUNCTION AND BASIC OPERATION

ACTUATORS, CONTROL MODULE, AND HANDSET

Bottom View of Bed



Linear Actuators

The bed is equipped with 24V DC Linear Actuators designed with built in travel limit switches. Each actuator is equipped with quick release pivot pins ($\frac{3}{8}$ " x 2") on both ends. If disassembled retain pivot pins and hairpin clip.

Control Module

The Control Module is designed to control all actuators in the system. The Control Module mounts directly on one of the actuators as shown.

Handset

The Handset is used to control all actuator functions. When not in use, the Handset hooks on the top of the side rail. See Handset Operation on following page.

Ground Wire

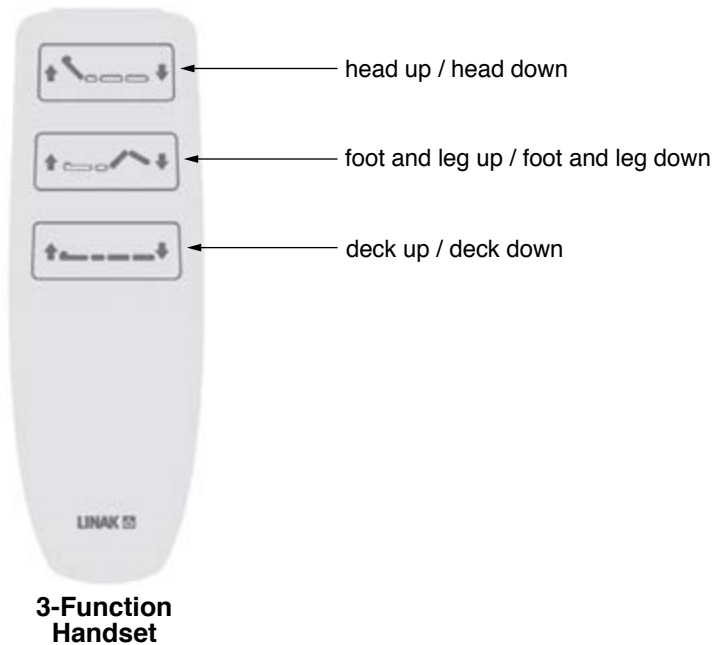
Green wire from power cord connects to bed frame. Secure with screw and star washer.



Control Module Wiring Diagram

⚠ WARNING: Before removing connectors from control module for any reason, disconnect the power cord. Ensure all connectors are securely plugged in before closing cover on control module when finished.

HANDSET OPERATION



The 3-Function Handset, shown above, has electric drive actuators to operate the following:

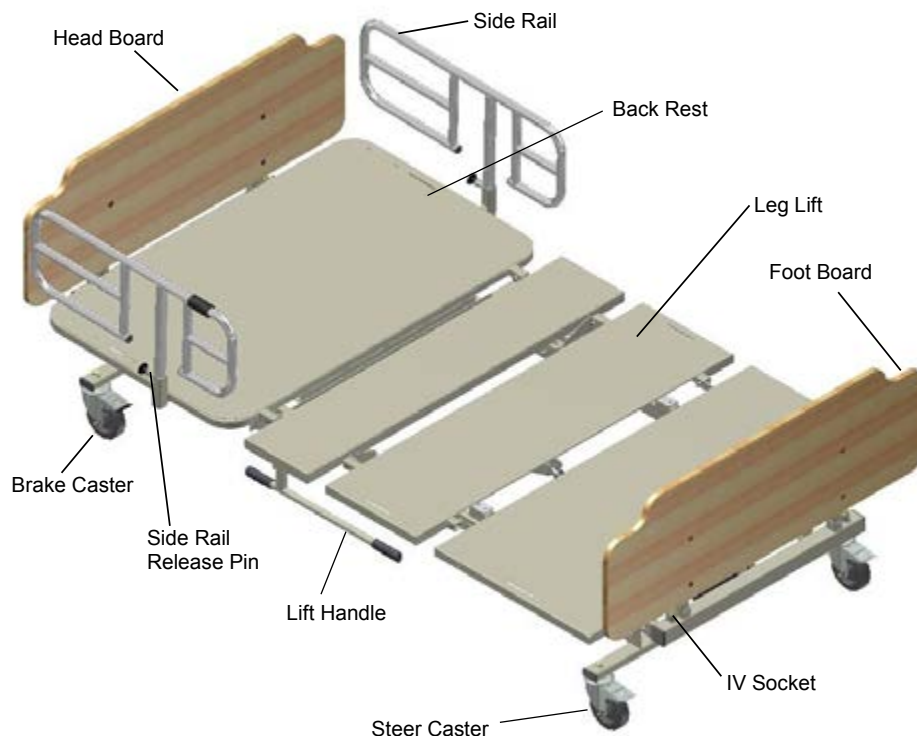
- 1) Raise and lower head section;
- 2) Raise and lower foot and leg section; and
- 3) Raise and lower bed height.

UPRIGHT BACK POSITION

⚠ WARNING: Before operating the backrest / head section, always ensure that casters are locked, or an accident or injury may occur.

The Backrest / Head section stops at any angle between zero degrees (horizontal) position and an upright position of about fifty degrees.

CASTER OPERATION



Steering the Bed

The Bed can be steered in two modes, with the steering locked or with all four casters able to move independently. The two casters on the foot end are steer-control casters as shown above.

Foot End – Using the Steering Lock Function

The steering lock function allows you to easily steer the bed in a straight line.

At the foot end of the bed, step down on the front of either caster pedal until it clicks, then move the bed in a straight line about three feet backward or forward to lock. This action will keep the caster from swiveling and allow better forward and backward movement. The bed can now be moved with greater stability. Push the bed from the head end. Do not lock the other steering caster.

Using the Four-Caster Free Function

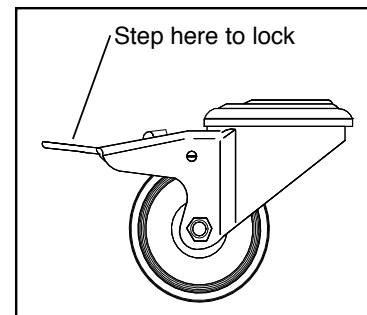
To allow the bed to be rolled alongside a stretcher, unlock all four casters.

To unlock, step down on the back of the control pedal on each caster as shown in the illustration.

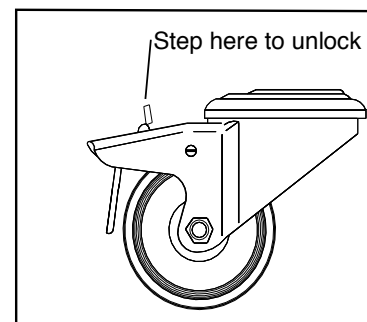
Locking the Casters

The locking function holds the bed motionless when the bed is parked. Lock all casters when transferring the patient to and from a bed. Casters are the individually locking type. For stability when parking the bed, align the casters with the bed frame.

⚠ WARNING: The caster lock is not designed to stop a bed in motion. Do not operate the caster control pedal while moving the bed, or an injury may occur.



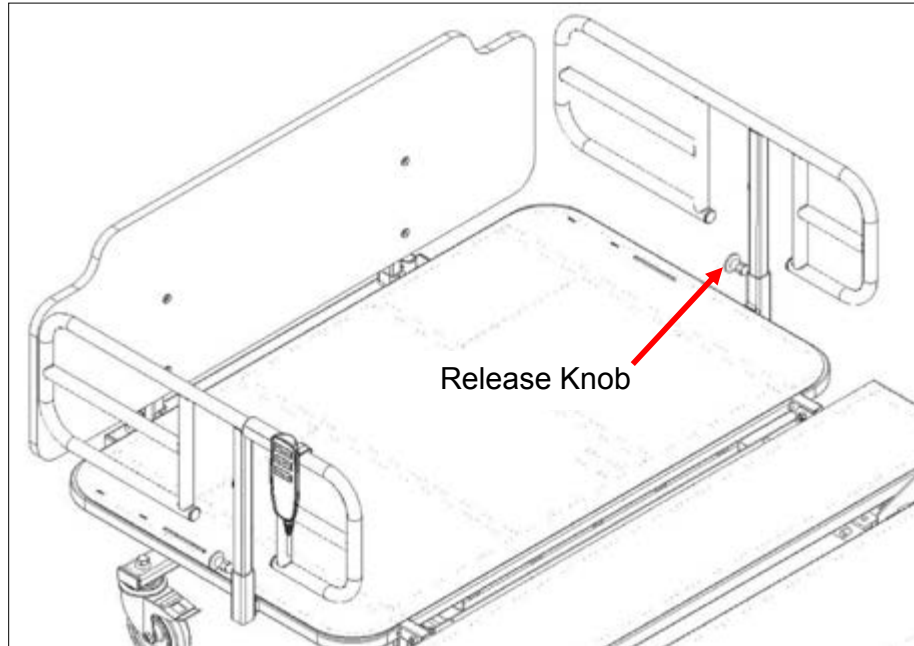
Unlocked



Locked

BED RAILS

Side Rail Adjustment



Side rails are located on each side of the bed. Side rails have a three-position vertical adjustment. To raise or lower a side rail, grasp the top section of rail with one hand while pulling the **Release Knob** (shown above) with the other hand. Pull side rail up or down to desired position. Allow the **Release Knob** to spring back into locked position.

Bed Rail Safety

- ⚠ **WARNING:** If bed rails are not properly installed and adjusted, personal injury and / or damage to the bed rail could result.
- ⚠ **WARNING:** Patient entrapment with bed side rails may result in serious injury or death. Use only with coherent patients capable of avoiding entrapment. Patients at risk of entrapment include those who have problems with memory, sleeping, incontinence, pain, uncontrolled body movement or who get out of bed and walk unsafely without assistance. For at-risk patients, use only with proper bed side rail protective barriers. There is also an increased risk of entrapment when bed rails are used in conjunction with a low air loss product.
- ⚠ **WARNING:** Bed rails are not restraining devices. If restraint is required, use only proper protective restraints. Follow the manufacturer's instructions and applicable regulations. Monitor patient frequently.
- ⚠ **WARNING:** DO NOT push or pull the bed by the bed rails.
- ⚠ **WARNING:** When the patient is lying on the bed in supine position, always lower the bed completely and raise the side rails.
- ⚠ **WARNING:** GF Health Products, Inc. assumes no responsibility for any damage or injury caused by improper installation of bed rails or unauthorized bed rail use. Only Gendron bed rails are recommended for use with 3648 Bariatric Beds. Please consult the instructions that accompany your Gendron bed rails for complete rail assembly and installation instructions.

6 CARE AND MAINTENANCE

Proper care and maintenance are essential to keeping the Gendron 3648 Bariatric Bed in a safe operating condition. When you believe a component or part is not functioning properly, immediately contact your GF authorized distributor, as a potentially hazardous condition could exist.

- ⚠ **WARNING:** Always unplug bed before cleaning.
- ⚠ **WARNING:** Service and repair of the Gendron 3648 Bariatric Bed should be performed only by a GF authorized distributor. GF is not responsible for any consequence resulting from any unauthorized service or repair.
- ⚠ **WARNING:** Unauthorized modification of the 3648 Bariatric Bed or the use of non-Gendron replacement parts may change the structure of the bed and could create a hazardous condition, which may result in serious injury and will void the warranty.
- ⚠ **WARNING:** The bed's electronic system contains no serviceable parts. Do not open the Motors, Cables, Motor Cord, or Handset. Only a GF authorized distributor or factory-trained personnel may perform service or adjustments on these components.
- ▲ **NOTICE:** DO NOT power wash the bed. DO NOT wash 3648 Bariatric Bed motor, handset, or electronics under water pressure or steam clean. If you wash the bed, remove motor, handset, and electronics first. DO NOT use abrasive cleansers or solvents to clean any part of the bed.

CLEANING

Use mild soap and water or a non-abrasive hospital-grade detergent disinfectant to clean the bed. Wet a cloth with the cleaning product and wring dry. Then gently wipe off the bed. Use caution when cleaning around the electrical connections to prevent shock to the person or damage to the electrical components.

PERIODIC INSPECTION AND MAINTENANCE

Perform the following as needed or between patient placements, whichever happens sooner.

INSPECTION ITEM	INTERVAL		
	EVERY 3 MONTHS	EVERY 6 MONTHS	EVERY 12 MONTHS
Ensure all nuts and bolts are tight	X		
Inspect bushings and lubricate all pivots with FDA-approved lubricant	X		
Ensure release pins spring back to locked position		X	
Ensure retaining pins are properly installed in clevis pins		X	
Ensure all electrical cables are free of frays, kinks, and deterioration		X	
Ensure brake and steer casters are operating properly and orienting properly		X	
Ensure all electrical connections are secure			X
Ensure all welds are free of cracks			X

⚠ WARNING: Any discrepancies noted during inspection must be corrected before using the bed.

7 TROUBLESHOOTING

⚠ WARNING: Service and repair of the Gendron 3648 Bariatric Bed should be performed only by a GF authorized distributor. GF is not responsible for any consequence resulting from any unauthorized service or repair.

The following list of encountered problems and their solutions will assist you in determining what may be causing your 3648 Bariatric Bed not to function as designed. If a problem occurs which is not listed below, please contact your GF authorized distributor or GF Technical Support for help. Do not attempt to repair 3648 Bariatric Bed components or parts, as this may invalidate your warranty or cause further problems.

Problem	Symptom	Solution
No Power	1. Is green light on control module illuminated?	If yes go to Power but no function section.
	2. Is the mains cable damaged?	If yes, replace mains cable.
	3. Is it plugged into the wall?	Plug mains cable into a functional wall receptacle.
	4. Is it plugged into control module?	Plug mains cable into the control module.
	5. Is there power to the wall receptacle?	If yes, replace control module.
Power but no function	1. Is green light on control module illuminated?	
	2. Is there damage to the handset or cable?	If yes, replace handset.
	3. Is the handset plugged in?	Plug in handset.
	4. Are all of the motor cables plugged into the actuators and control module?	Plug motor cables into actuators and control module.
	5. Are any of the actuator motor cables damaged?	If yes, replace the damaged motor cable.
	6. Is the control module chirping?	If yes, call GF Tech Support.
Actuator not functioning	1. Is motor cable plugged into actuator and control module?	Plug motor cable into actuator and control module.
	2. Is the motor cable damaged?	If yes, replace motor cable.
	3. Is the actuator damaged?	If yes, replace actuator.
	4. Does the actuator make any sounds when function button is pushed?	If yes, check for any mechanical binding on bed.
	5a. Can you change ports on the control module and get it to work? (Ports 1 and 3 or 2 and 4)	If initial suspect actuator still does not move but switched port actuator does, then replace the motor cable and suspect actuator. If suspect actuator moves but switched port actuator does not, then replace the control module.
	5b. Does other actuator that the port was switched with not work now?	

⚠ WARNING: If you experience a problem with the 3648 Bariatric Bed and are unable to service it yourself, contact your GF authorized distributor.

8 SPECIFICATIONS

Info: All dimensions are given in inches unless otherwise specified. All dimensions are approximate.

SPECIFICATION (unless otherwise noted, applies to all models)			
Product name	Gendron 3648 Bariatric Bed		
Environmental Conditions	Operation	Temperature	40°F to 105°F (5°C to 40°C)
		Relative humidity	20% to 90% @ 85°F (30°C) noncondensing
		Atmospheric pressure	700 to 1060 hPa
	Storage and Transport	Temperature	15°F to 120°F (-10°C to 50°C)
		Relative humidity	20% to 90% @ 85°F (30°C) noncondensing
		Atmospheric pressure	700 to 1060 hPa
Maximum weight capacity, EVENLY DISTRIBUTED	650 lb (295 kg)		
Frame Construction	Welded steel frame, powder-coat finish		
Maximum Overall Width	51" (129.5 cm)		
Overall Length	90" (228.6 cm) with headboard and footboard installed		
Deck Width	48" (121.9 cm) fixed width		
Deck Length	84" (213.4 cm)		
Deck Height	15" to 32" (38.1 cm to 81.3 cm) above floor		
Weight	371 lb (168.3 kg)		
Casters (four total)	Heavy-duty 5" (12.7 cm); two total-lock head end, two steer-type foot end		
Handset, 3-Function (standard)	1) Raise and lower head section; 2) Raise and lower leg and foot section; and 3) Raise and lower bed height		
Side Rail	3-position drop-down style		
Back angle	0-50 degrees		
Knee gatch angle	0-25 degrees		
Accessory sockets	One IV socket on each corner of bed		
Electrical Input	100-240 VAC, 50/60 Hz -15%/+10%, 3.9 A		
Duty Cycle	Maximum 10% or 2 min. continuous use followed by 18 min. not in use		
IP Rating	IPX4		
Power Plug	3-prong hospital type plug; grounding meets NFPA standards		
Accessory sockets	One IV socket and one square socket on each corner of bed		
Electrical Approvals	UL, CE, and CSA		

9 LIMITED WARRANTY

SCOPE OF WARRANTY

GF Health Products, Inc. ("GF") warrants to the original purchaser only that it will replace or repair components, at GF's sole discretion, that are defective in material or workmanship under normal use and service. All warranties are conditioned upon the proper use of the products strictly in accordance with good commercial practice and applicable GF instructions and manuals, including proper use and maintenance. To the extent that a component is warranted by a third party, GF conveys all of its rights under that warranty to the original purchaser, to the extent permitted.

This limited warranty shall only apply to defects that are reported to GF's customer service team within the applicable warranty period and which, upon examination by GF or its authorized representative, prove to be a warranty item.

This limited warranty is not transferable.

The warranted components and time period are set forth below:

Bed frame: two years

Motor, pendant, and electronic components: two years

All other durable components not listed above: one year

The applicable warranty period shall commence from date of shipment to the original customer, unless there is an expiration date on the component in which case the warranty shall expire on the earlier of warranty period or the expiration date.

OBTAINING WARRANTY SERVICE

This limited warranty shall only apply to defects that are reported to the Distributor from whom the Customer purchased the product within the applicable warranty period. If there is not a Distributor, you must contact GF directly by calling 1.770.368.4700, sending a fax request to 1.770.368.2386, or by e-mailing a request to cs@grahamfield.com. Specific directions will be provided by the Customer Service Representative. Failure to abide by the specific directions will result in denial of the warranty claim.

EXCLUSIONS

The warranty does not cover and GF shall not be liable for the following:

- 1) Defects, damage, or other conditions caused, in whole or in part, by misuse, abuse, negligence, alteration, accident, freight damage, tampering or failure to seek and obtain repair or replacement in a timely manner;
- 2) Products which are not installed, used, or properly cleaned and maintained as required in the official manual for the applicable product;
- 3) Products considered to be of a non-durable nature including, but not limited to: casters, filters, fuses, gaskets, lubricants, and charts;
- 4) Accessories or parts not provided by GF;
- 5) Charges by anyone for adjustments, repairs, replacement parts, installation or other work performed upon or in connection with such products which are not expressly authorized in writing, in advance, by GF;
- 6) Any labor or shipping charges incurred in the replacement part installation or repair;
- 7) Costs and expenses of regular maintenance and cleaning; and
- 8) Representations and warranties made by any person or entity other than GF.

ENTIRE WARRANTY, EXCLUSIVE REMEDY AND CONSEQUENTIAL DAMAGES DISCLAIMER

THIS WARRANTY IS GF'S ONLY WARRANTY AND IS IN LIEU OF ALL OTHER WARRANTIES, EXPRESS OR IMPLIED. GF MAKES NO IMPLIED WARRANTIES OF ANY KIND INCLUDING ANY IMPLIED WARRANTIES OF MERCHANTABILITY OR FITNESS FOR A PARTICULAR PURPOSE.

IF ANY MODEL OR SAMPLE WAS SHOWN TO THE CUSTOMER, SUCH MODEL OR SAMPLE WAS USED MERELY TO ILLUSTRATE THE GENERAL TYPE AND QUALITY OF THE PRODUCT AND NOT TO REPRESENT THAT THE PRODUCT WOULD NECESSARILY CONFORM TO THE MODEL OR SAMPLE IN ALL RESPECTS.

THIS WARRANTY IS LIMITED TO THE REPAIR OR REPLACEMENT OF THE DEFECTIVE PARTS. GF SHALL NOT BE LIABLE FOR AND HEREBY DISCLAIMS ANY DIRECT, SPECIAL, INDIRECT, INCIDENTAL, EXEMPLARY OR CONSEQUENTIAL DAMAGES, INCLUDING, BUT NOT LIMITED TO: DAMAGES FOR LOSS OF PROFITS OR INCOME, LOSS OF USE, DOWNTIME, COVER, OR EMPLOYEE OR INDEPENDENT CONTRACTOR WAGES, PAYMENTS AND BENEFITS.

The warranties contained herein contain all the representations and warranties with respect to the subject matter of this document, and supersede all prior negotiations, agreements and understandings with respect thereto. The recipient of this document hereby acknowledges and represents that it has not relied on any representation, assertion, guarantee, warranty, collateral contract or other assurance, except those set out in this document.

For additional information on this product or this warranty, please contact a GF Customer Service Representative.

NOTES:

- 1) Additional terms and conditions may apply.
- 2) Freight claims must be notated on the appropriate shipping documents and must be made with immediacy. International, federal and state regulations govern specific requirements for freight claims. Failure to abide by those regulations may result in a denial of the freight claim. GF will assist you in filing the freight claim.
- 3) Claims for any short shipment must be made within three (3) days of the invoice date.

10 INDEX

A

Actuators 14
Actuators, linear 14
Assembly and setup instructions 9
Assembly instructions 10

B

Bed rails 17
Bed rail safety 17

C

Care and maintenance 18
Caster, 4-caster free function 16
Caster operation 16
Casters, locking 16
CAUTION statement, significance 4
Cleaning 18
Contraindications for use 3
Control module 14

D

DANGER statement, significance 4
Disassembly for storage or transport 12
Disposal of equipment and accessories 8

F

Features and components 9
Function and basic operation 14

G

Ground wire 14

H

Handling procedures 8
Handset 14
Handset, 3-function 15
Handset operation 15

I

Important safety instructions 4
Info statement, significance 4
Inspection 8
Inspection and maintenance 19
Installation 3
Intended use 3
Introduction 3

N

NOTICE statement, significance 4

O

Operation 13

S

Safety instructions 4
Safety statements, significance of 4
Setup 3
Setup instructions 11
Shipping and transportation instructions 8
Side rail adjustment 17

Specifications 21
Steering lock function 16
Steering the bed 16
Storage 8

T

Troubleshooting 20

U

Unpacking 8
Upright back position (Fowler) 15

W

Warnings 5
WARNING statement, significance 4
Warranty, limited 22
Weight capacity, maximum 3



1.770.368.4700

Information contained herein is subject to change.
The most current and complete product information can be found on our website.
grahamfield.com / gendroninc.com



© 2020, GF Health Products, Inc. All Rights Reserved.
Gendron is a trademark of GF Health Products, Inc.
GF Health Products, Inc. is an ISO 13485:2016 / MDSAP Certified Company

Manufactured by:
GF Health Products, Inc.
One Graham-Field Way
Atlanta GA 30340-3140